

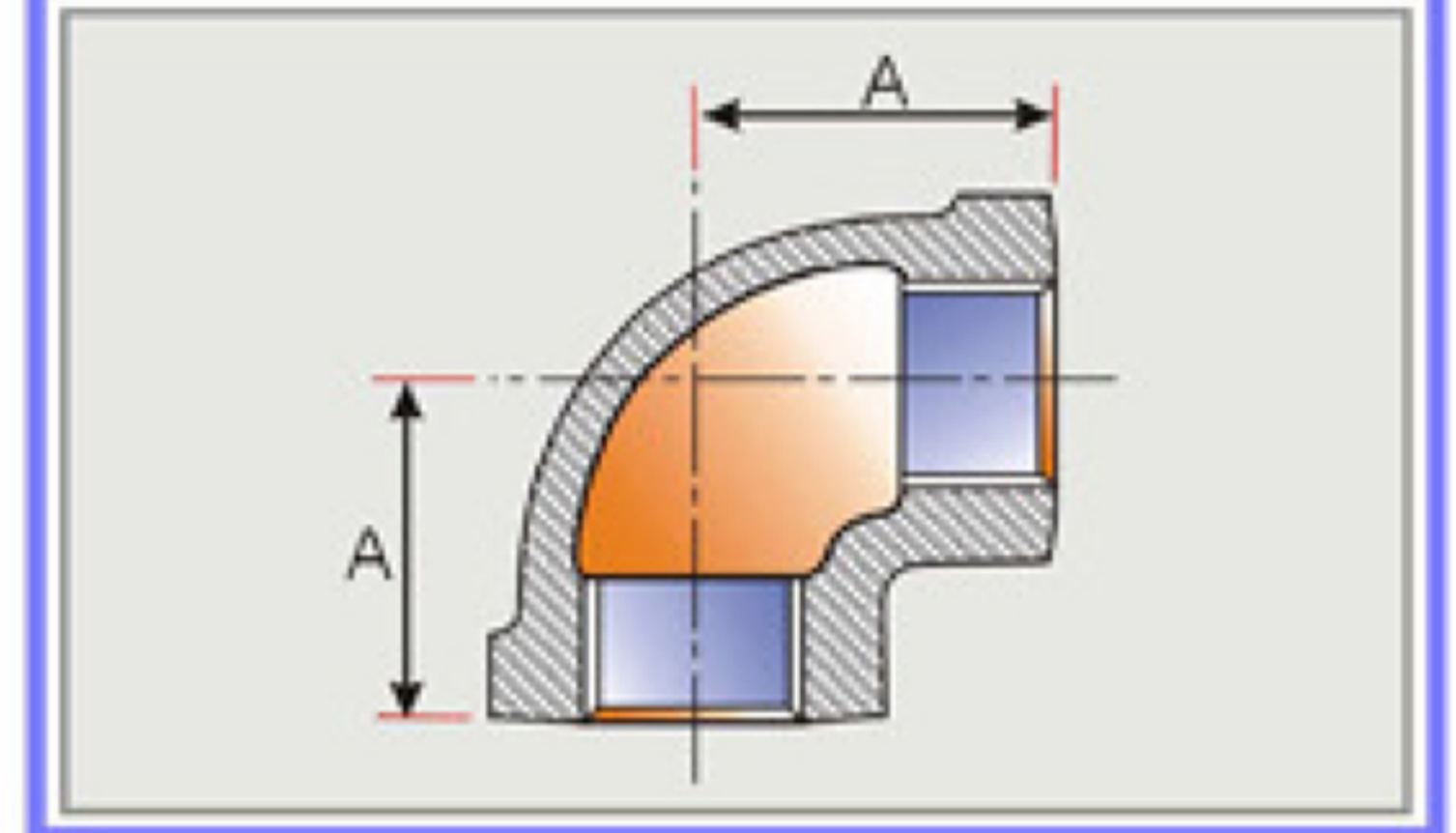
PACKING LISTS and SPECIFICATION STANDARD

MALLEABLE IRON PIPE FITTINGS CLASS 300 lbs.

Size (inch)	Dimensions A	Inner Box Pcs./Box	Master Ctn. Pcs./Ctn.	NO. of Inner Box	Weight/Pcs.	N.W./Ctn. (Kgs.)
1/4	23.9	180	360	2	0.0946	34
3/8	26.9	120	240	2	0.1376	33
1/2	31.7	40	80	2	0.2140	17
3/4	36.6	30	60	2	0.3413	20
1	41.4	20	40	2	0.5200	21
1 1/4	49.3	12	24	2	0.8450	20
1 1/2	54.1	8	16	2	1.1000	18
2	63.5	6	12	2	1.8016	22
2 1/2	74.7	4	8	2	2.8230	23
3	85.8	2	4	2	4.3450	17
4	105.0	1	2	2	6.7200	13

ELBOWS 90°

BXHL 90



* THE ACTUAL WEIGHT CAN VARY BY \pm 3%